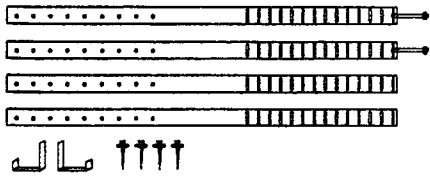


EARTHQUAKE BRACKETS FOR WATER HEATERS INSTALLATION INSTRUCTIONS



BOX CONTENTS

- 2 straps with J-clips, 3/8" bolts, washers and nuts, pre assembled ("A" straps)
- 2 straps ("B" straps)
- 2 J-clips
- 4 lag bolts 1/4"x3" with 1/4" washers

TOOLS NEEDED

- Drill with 3/16" drill bit
- 7/16" socket or wrench for tightening at wall
- 9/16" wrench for tighteneing atrap and J-clips

Check the water heater. If the water heater is not a zero clearance unit (as specified on the rating plate), see instructions inside the box on how to build a spacer

STEP 1

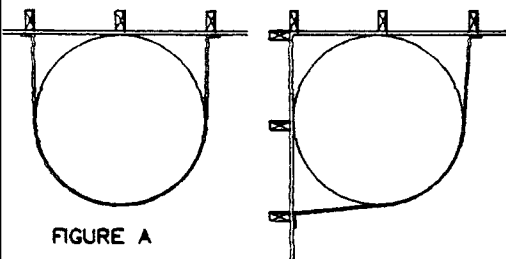


FIGURE A

Select location for water heater.

The best place to locate your water heater is directly in front of a 2x4 wall stud. See Figure A

STEP 2

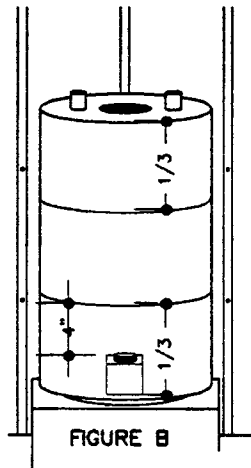


FIGURE B

The straps must be installed in the upper and lower 1/3 of the water heater. The lower strap must be at least 4" above the water heater's controls. See Figure B

Mark the wall studs on both sides of the water heater where you will install the straps. It is recommended that a 3/16" pilot hole be drilled before installing the lag bolts

STEP 3

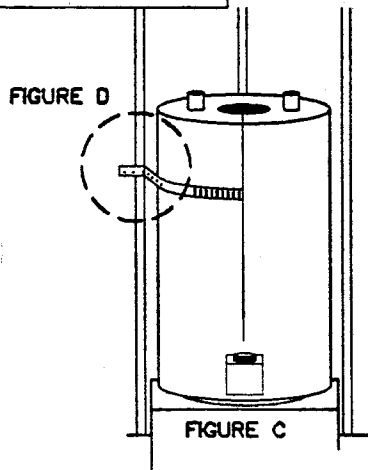


FIGURE D

FIGURE C

Select one Strap "A" with pre-assembled J-clip. Hold the strap so that the J-clip is in the approximate center of the water heater. See Figure C

Selecting a mounting hole that best aligns with the pilot hole and stud, secure the other end of the Strap "A" to the stud with a 1/4x3" lag bolt and washer. See Figure D

STEP 4

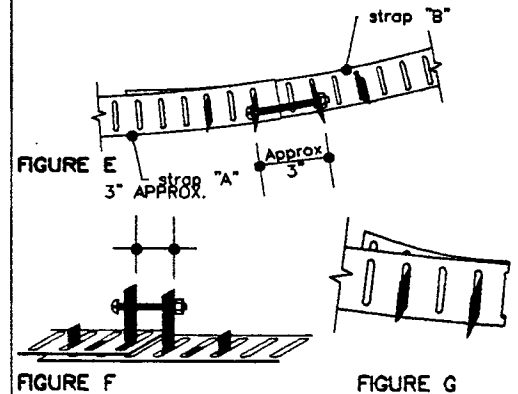


FIGURE E

FIGURE F

FIGURE G

Use a Strap "B" on the opposite side of the heater, select a round mounting hole which allows a few inches of Strap "B" to pass behind Strap "a" and secure Strap "B" to the wall. See Figure E

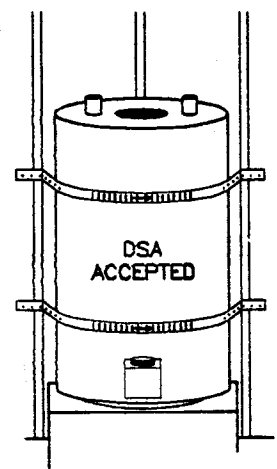
Insert a J-clip into the slots of Strap "B". The longer side of the J-clip must be towards the end of the strap, so that it is approximately 3" from the J-clip on the Strap "A", when the two J-clips are pulled together snugly. See Figure F

HINT: if strap "A" is too long, simply reposition the J-clip then bend the strap behind the J-clip as shown in Figure G.

Remove the 3/8" nut & washer and secure the two J-clips together with the 3/8" carriage bolt that is already on Strap "A". Reinstall the nut and washer and tighten.

STEP 5

Repeat the entire installation process for the second pair of straps using the same hole and slot positions as the first installation. If necessary, trim strap ends at the wall.



INSTALLATION COMPLETE